

BRONZE

HORIZONTAL LIFT CHECK VALVE

**SCIENTIFICALLY DESIGNED,
EVERLASTING,
SMOOTH PERFORMANCE**

DESCRIPTION :

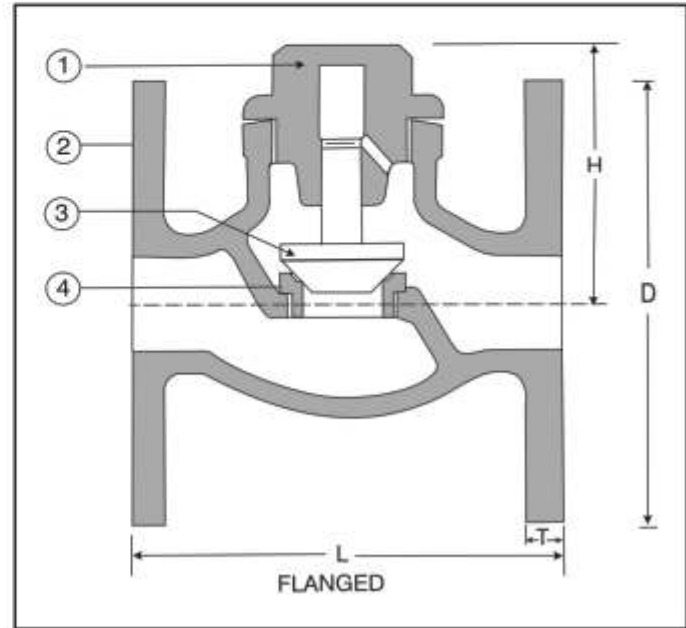
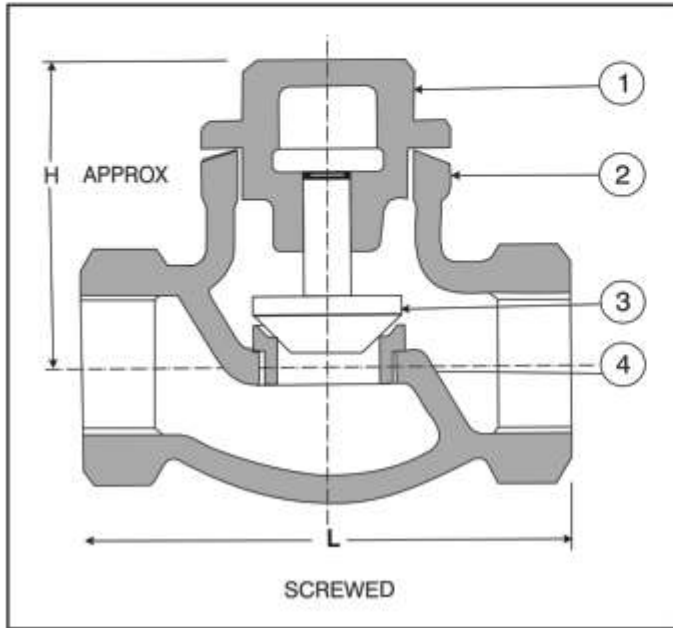
'WJ' Bronze Horizontal Lift Check Valve screwed cover with Stainless Steel trim screwed female ends BSP Taper or flanged ends to BS-10 Table 'H'. Suitable for steam line upto 250 PSIG (17.58 Kg/Cm²g) and temperature 428°F (220°C). Tested to 500 PSIG (35.15 Kg/Cm²g) Hydraulic Pressure.

Valves upto 50mm (2") size are manufactured with screwed in covers and higher sizes are manufactured with bolted covers. Valves of 40mm (1½") and 50mm (2") are also manufactured with bolted cover for direct application on Boilers.

TESTING AND CERTIFICATION :

All valves are tested hydrostatically at double the maximum working pressure. Each valve is supplied with IBR Test Certificate in Form III-C issued by The Director of Boilers, Punjab.





DIMENSIONS

| NOMINAL SIZE | END TO END / FACE TO FACE DISTANCE | | | | CENTER TO TOP H. APPROX. |
|----------------|------------------------------------|-----------|-------|------|-----------------------------|
| | SCREWED L | FLANGED L | D | T | |
| 15 mm (1/2") | 83 | 106 | 114.3 | 9.5 | 54.5 |
| 20 mm (3/4") | 95 | 112 | 114.3 | 9.5 | 52.5 |
| 25 mm (1") | 111 | 124 | 120.7 | 11.2 | 69 |
| 32 mm (1 1/4") | 133.5 | 137.5 | 133.4 | 11.2 | 75.5 |
| 40 mm (1 1/2") | 148 | 149.5 | 139.7 | 12.7 | 84 |
| 50 mm (2") | 178 | 177.5 | 165.1 | 12.7 | 90.5 |
| 65 mm (2 1/2") | 203 | 216 | 184.2 | 14.3 | 115 |
| 80 mm (3") | 254 | 254 | 203.2 | 16.0 | 130 |
| 100 mm (4") | 275 | 292 | 228.6 | 19.1 | 170 |

MATERIALS

| PART No. | NAME OF PART | MATERIAL | SPECIFICATION |
|----------|----------------|-----------------|------------------------|
| 1. | Bonnet | Bronze | IBR 282 (a) (IV) Gr. B |
| 2. | Body | Bronze | IBR 282 (a) (IV) Gr. B |
| 3. | Valve Disc | Stainless Steel | AISI-410 |
| 4. | Body Seat Ring | Stainless Steel | AISI-410 |